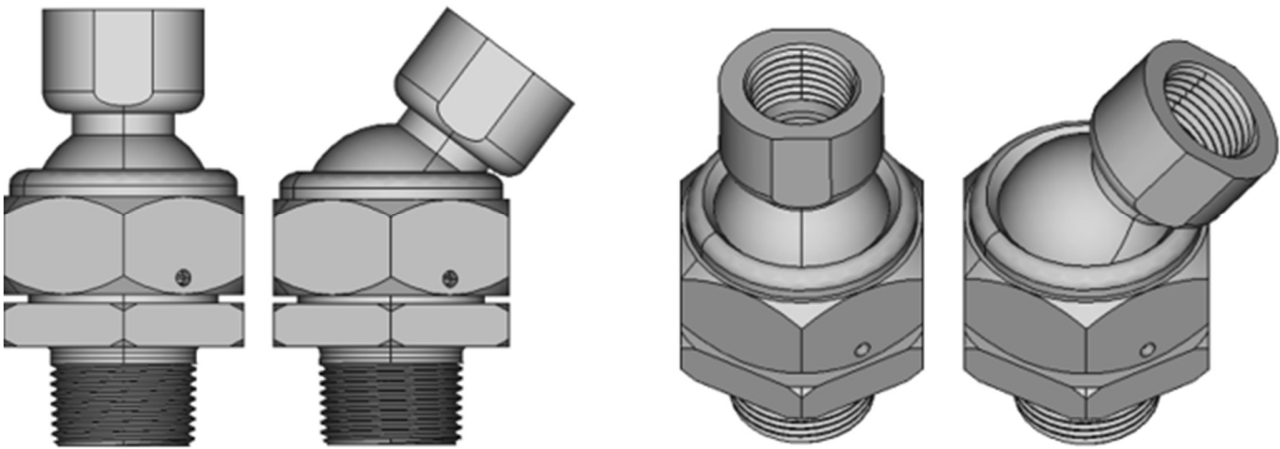


GW SWIVEL ADAPTER 3/4" TO 1/2" – ADJUSTABLE DIRECTIONAL FITTING



Description

The GW Swivel Adapter is used where system design requires **specific directional positioning of spray nozzles**, that can normally not be achieved by just pendent and horizontal mounting.

The GW Swivel Adapter unit is fitted/screwed into the fixed pipework using its 3/4" male thread. The nozzle is fitted/screwed into the Swivel Adapter female 1/2" thread. The female adapter part has 28mm A/F spanner flat for easy and safe fitting of the nozzle.

The GW Swivel Adapter has a Ø15mm bore (orifice) to accommodate large K-factor 1/2" nozzles. The adapter ball link facilitates an axial angular adjustment of 0 - 37°. The angled position is safely locked by tightening the Swivel Adapter cap against the ball link. For a lasting and vibration proof fixation, it is recommended to apply a few drops of liquid screw lock (glue) through the Ø3 mm hole in the spanner flat, after final fixation.

Materials

The GW Swivel Adapter is available in the material alloys normally used for on- and off shore deluge spray nozzles:

Material	Grade (or similar)
Brass	DZR / CW602N / UNS C35330
Nickel Aluminium Bronze	CW307G / UNS C63000
Stainless Steel, SS316	AISI 316 / EN 1.4401 / UNS S31600
Stainless Steel, SMO	EN 1.4547 / UNS S31254 / 254SMO
Titanium	ASTM B367 Gr. C2 / UNS R50400

Special alloys can be supplied on request.

If required, material certificates to EN10204 3.1 can be supplied – as well as PMI report (positive material identification) - to support material alloy documentation requirements. Such request must be specified with inquiry or PO.

GW SPRINKLER A/S

Kastanievej 15, DK-5620 Glamsbjerg, Denmark
Tel: +45 64 72 20 55 Fax: +45 64 72 22 55
E-mail: sales.dep@gwsprinkler.com

Data sheet: Swivel Adapter – 3/4" to 1/2"

Page: 1 of 2

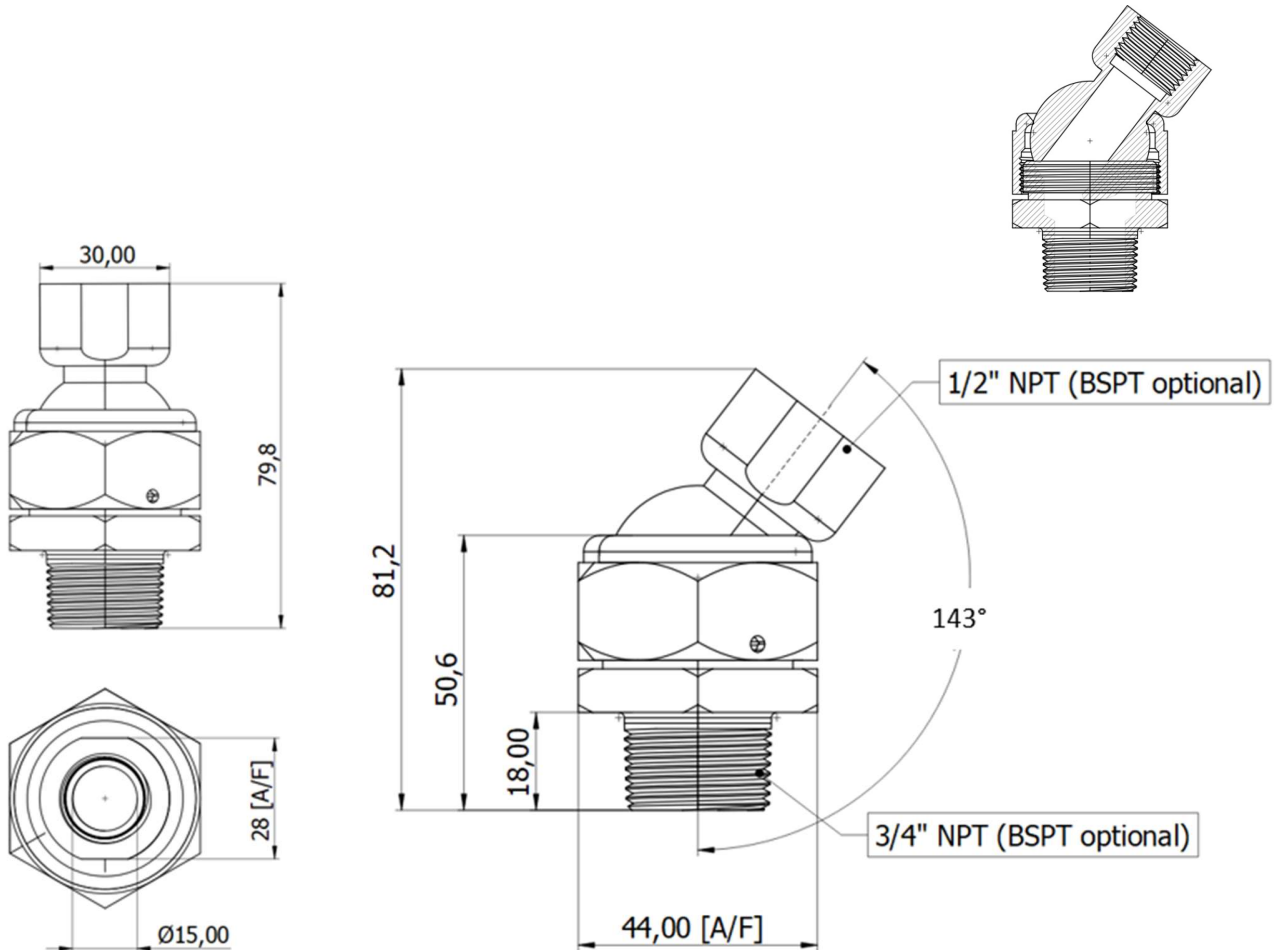
Date: 28 January 2025

Data sheet no.: **SM101 1006 A**

The right is reserved to vary or modify any specifications without prior notice.

GW SWIVEL ADAPTER 3/4" TO 1/2" – ADJUSTABLE DIRECTIONAL FITTING

Dimensions:



GW SPRINKLER A/S

Kastanievej 15, DK-5620 Glamsbjerg, Denmark

Tel: +45 64 72 20 55 Fax: +45 64 72 22 55

E-mail: sales.dep@gwsprinkler.com

Data sheet: Swivel Adapter – 3/4" to 1/2"

Page: 2 of 2

Date: 28 January 2025

Data sheet no.: **SM101 1006 A**

The right is reserved to vary or modify any specifications without prior notice.