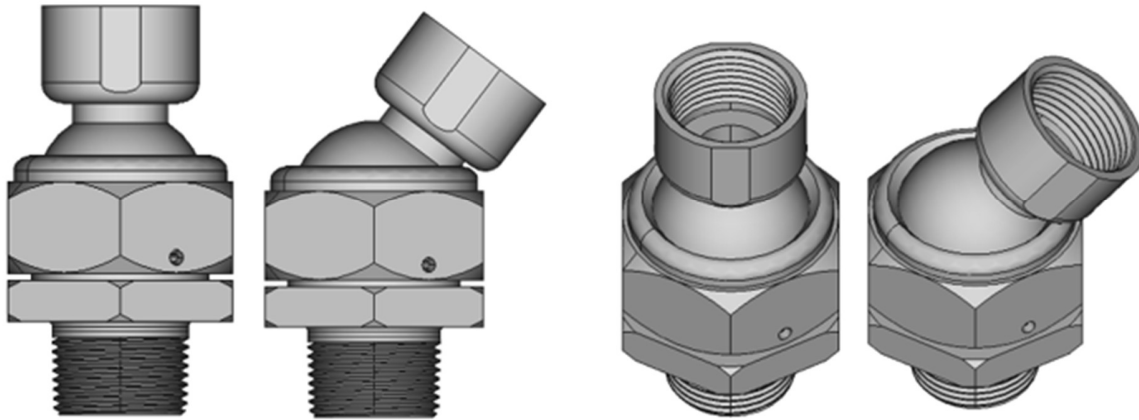


# GW SWIVEL ADAPTER 3/4" – ADJUSTABLE DIRECTIONAL FITTING



## Description

The GW Swivel Adapter is used where system design requires **specific directional positioning of spray nozzles**, that can normally not be achieved by just pendent and horizontal mounting.

The GW Swivel Adapter unit is fitted/screwed into the fixed pipework using its 3/4" male thread. The nozzle is fitted/screwed into the Swivel Adapter female 3/4" thread. The female adapter part has 30mm A/F spanner flat for easy and safe fitting of the nozzle.

The GW Swivel Adapter has a Ø15mm bore (orifice) to accommodate large K-factor 3/4" nozzles. The adapter ball link facilitates an axial angular adjustment of 0 - 37°. The angled position is safely locked by tightening the Swivel Adapter cap against the ball link. For a lasting and vibration proof fixation, it is recommended to apply a few drops of liquid screw lock (glue) through the Ø3 mm hole in the spanner flat, after final fixation.

## Materials

The GW Swivel Adapter is available in the material alloys normally used for on- and off shore deluge spray nozzles:

Material	Grade (or similar)
Brass	DZR / CW602N / UNS C35330
Nickel Aluminium Bronze	CW307G / UNS C63000
Stainless Steel, SS316	AISI 316 / EN 1.4401 / UNS S31600
Stainless Steel, SMO	EN 1.4547 / UNS S31254 / 254SMO
Titanium	ASTM B367 Gr. C2 / UNS R50400

Special alloys can be supplied on request.

If required, material certificates to EN10204 3.1 can be supplied – as well as PMI report (positive material identification) - to support material alloy documentation requirements. Such request must be specified with inquiry or PO.

---

## GW SPRINKLER A/S

Kastanievej 15, DK-5620 Glamsbjerg, Denmark  
Tel: +45 64 72 20 55 Fax: +45 64 72 22 55  
E-mail: [sales.dep@gwsprinkler.com](mailto:sales.dep@gwsprinkler.com)

Data sheet: Swivel Adapter – 3/4"

Page: 1 of 2

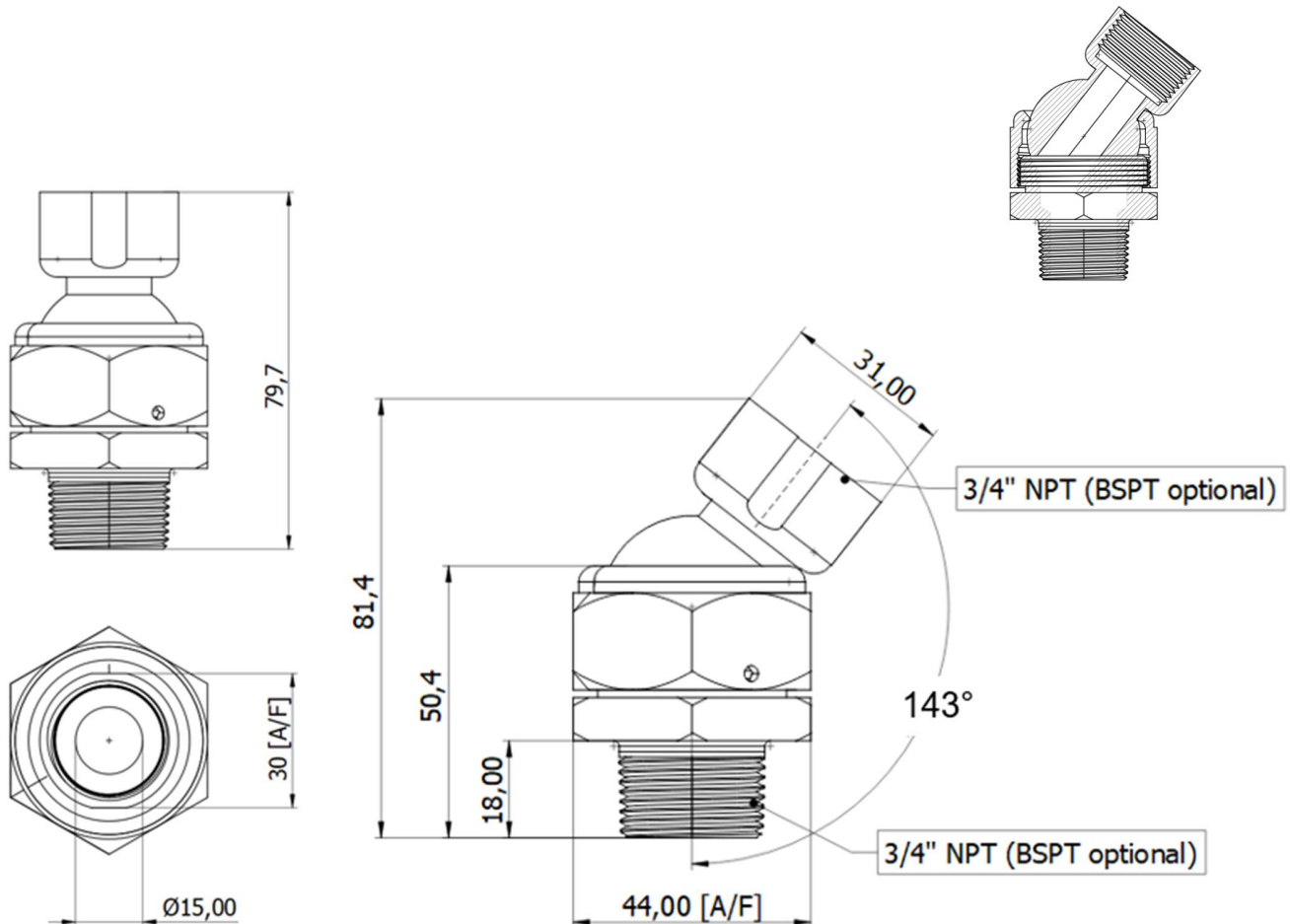
Date: 28 January 2025

Data sheet no.: **SM101 1005 A**

The right is reserved to vary or modify any specifications without prior notice.

# GW SWIVEL ADAPTER 3/4" – ADJUSTABLE DIRECTIONAL FITTING

Dimensions:



## GW SPRINKLER A/S

Kastanievej 15, DK-5620 Glamsbjerg, Denmark

Tel: +45 64 72 20 55 Fax: +45 64 72 22 55

E-mail: [sales.dep@gwsprinkler.com](mailto:sales.dep@gwsprinkler.com)

Data sheet: Swivel Adapter – 3/4"

Page: 2 of 2

Date: 28 January 2025

Data sheet no.: **SM101 1005 A**

The right is reserved to vary or modify any specifications without prior notice.