

GW MODEL S

SEALED THERMOSPRAY

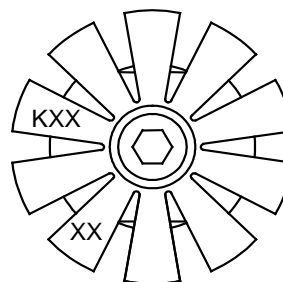
WATER SPRAY NOZZLE



GW SPRINKLER A/S

TECHNICAL SPECIFICATION

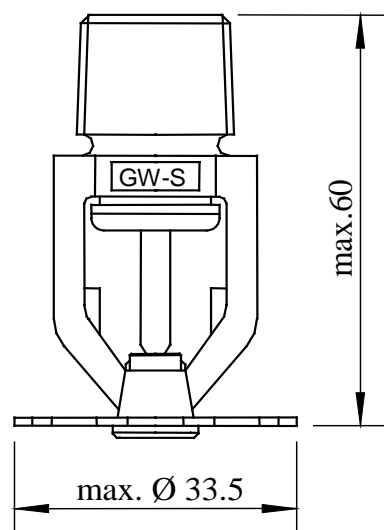
RTI-Value: ~ 100 (metric)
 Weight: 66g (Brass)
 Thread: ½" BSPT (NPT also available)
 Maximum Working Pressure: 12.5 Bar
 System Test Pressure: 20 Bar



Ordering Example:

See table below. Write D4 followed by code for K-factor, material, finish, deflector angle, temperature & thread.

e.g.
 D41200ACB
 Sealed Thermospray 12mm, brass, 60°, 68°C, BSP



Options						
K Factor (±5%) :	17	29	46	76		
Bore mm:	6	8	10	11		
Code:	06	08	10	12		
Material:	Brass	SS316	SMO 254			
Code:	0	2	9			
Finish:	Natural	ENP17	ENP40			
Code:	0	2	4			
Deflector Angles:	60°	90°	120°	150°		
Code:	A	C	F	H		
Operating Temperature °C	57°	68°	79°	93°	141°	182°
Code:	B	C	D	E	F	G
Thread ½"	BSPT	NPT (on request)				
Code:	B	N				

The right is reserved to vary or modify any specifications without prior notice.

GW SPRINKLER A/S

Kastanievej 15, DK 5620-Glamsbjerg, Denmark
 TEL: +45 64722055 FAX: +45 64722255

Email: sales.dep@gwsprinkler.com

Data sheet also available at www.gwsprinkler.com

DATA SHEET No: GW WS010 1001 B

Data Sheet: Sealed Thermospray

Page: 1 of 1

Date: 8th April 2014