

LOFLOW K-15 SPRINKLER BUILDING PROTECTION



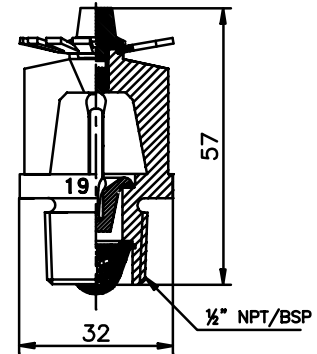
The Loflow K15 Sprinkler series contain fine water spray sprinklers (water mist) with automatic quick response for fixed fire protection of on-shore, Maritime and offshore applications.

The sprinkler heads are installed in fully hydraulic designed wet pipe sprinkler systems. The sprinkler systems must be designed and installed in accordance with GW Sprinkler A/S installation manual no.: 715.

Loflow K15 sprinklers are also suitable for foam enhanced sprinkler systems, deluge systems and local application systems.

TECHNICAL SPECIFICATION:

| | | | | | |
|--------------------|------------------------------|------|--------|-------|-------|
| K Factor: | 15 (metric) | | | | |
| RTI-Value: | <50 ms ^{-1/2} | | | | |
| Drop Size: | DN ₉₀ <300 μm | | | | |
| Material: | Brass | | | | |
| Weight: | 74g | | | | |
| Thread: | ½" BSPT (NPT also available) | | | | |
| Working Pressure: | 6 - 16 Bar | | | | |
| Bulb Release: | 57°C | 68°C | 79°C | 93°C | 141°C |
| Temp. Max Ambient: | 27°C | 38°C | 49°C | 63°C | 111°C |
| Colour: | orange | red | yellow | green | blue |



| | | |
|---------------------------------------|---------------------------------------|---------------------------------------|
| Model O Mark O Bent 110° | Model C Mark C Bent 110° | Model S Mark S Bent 110° |
|---------------------------------------|---------------------------------------|---------------------------------------|

| On-shore Sprinkler Applications: | Model C | Model O | Model S: |
|--------------------------------------|-------------------------------|--------------|--------------------|
| | Corridors and confined spaces | Open spaces. | Shops and storage. |
| Installation Height max.: | 5m | 5m | 3m |
| Distance between sprinklers: | 1.5 – 3.5m | 1.5 – 3.5m | 1.5 – 3m |
| Distance from wall to sprinkler max: | 1.75m | 1.75m | 1m |

| Accessories: | | Available Finishes: | |
|----------------------|---|---|---|
| A full programme of: | Wet alarm valves, Loflow C1: 80,100,150,200mm | Standard: | chrome coated brass |
| Rosettes: | Flush, Single Piece, Two Piece, Model ADJ | Standard corrosion protection: | electroless nickel plated brass |
| Sprinkler spanner: | Model DD | Seawater protection and clean surfaces: | PTFE coated & electroless nickel plated brass |

The right is reserved to varv or modifv any specifications without prior notice

GW SPRINKLER A/S
Kastanievej 15, DK 5620-Glamsbjerg, Denmark
TEL: +45 64722055 FAX: +45 64722255
Email: sales.dep@gwspinkler.com

Data sheet also available at www.gwspinkler.com

DATA SHEET No: GW SN020 1001 A

Data Sheet: GW Loflow Sprinkler Building Protection

Page: 1 of 3
Issue / Date: 9th July 2007

LOFLOW K-15 SPRINKLER BUILDING PROTECTION



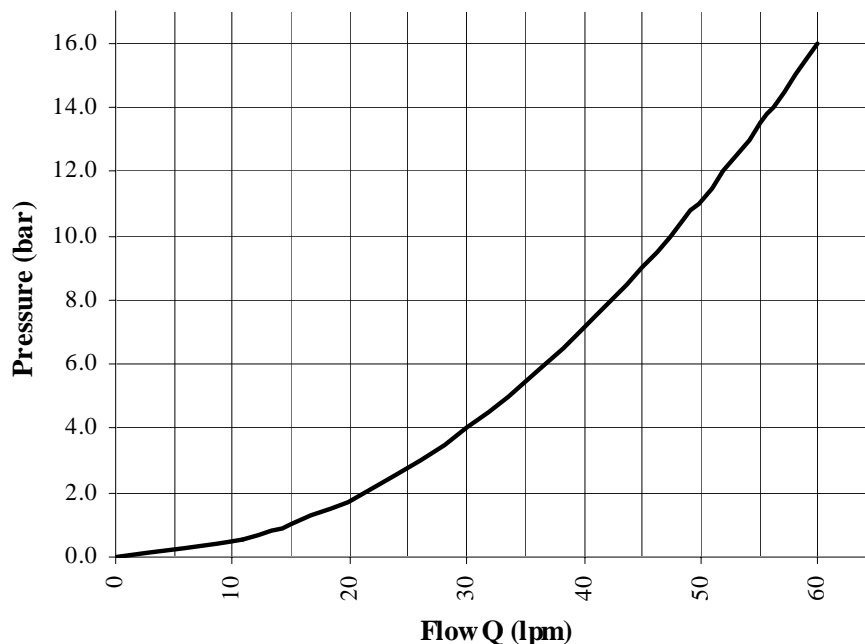
Installation, approvals & specifications test.

Model C & O (68°C only) Sprinkler types are approved by Factory Mutual for fixed sprinkler protection of FM light hazard occupancies. *

Which involves areas like: apartments, churches, clubs, eaves and overhangs, educational institutions, drafting rooms, hotel rooms, hospitals, institutions, libraries, (except large stock rooms), museums, convalescent homes, offices (including data processing areas) residential, restaurant seating areas, theatres and auditoriums (excluding stages and prosceniums) and unused attic spaces etc.

Factory Mutual has specification tested Loflow Model S (68°C only) sprinkler to comply with the appropriate section of. The International Maritime Organisation (IMO) Resolution A800 for shop and storage occupancies.

Pressure/Flow Graph



Physical differences between Loflow K15 sprinkler heads:

Type C: 16 small holes in the deflector

Type O: 8 small holes in the deflector

Type S: 16 small holes in the deflector and four deflectors are slightly angled to give different spray characteristics.

* For a full, and up to date, list of approvals refer to GW

The right is reserved to vary or modify any specifications without prior notice

GW SPRINKLER A/S

Kastanievej 15, DK 5620-Glamsbjerg, Denmark

TEL: +45 64722055 FAX: +45 64722255

Email: sales.dep@gwspinkler.com

Data sheet also available at www.gwspinkler.com

Data Sheet: GW Loflow Sprinkler
Building Protection

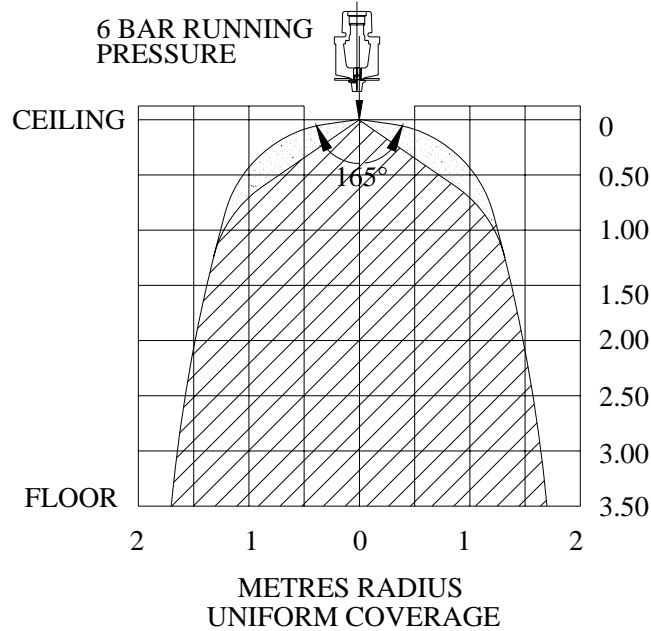
Page: 2 of 3

Issue / Date: 9th July 2007

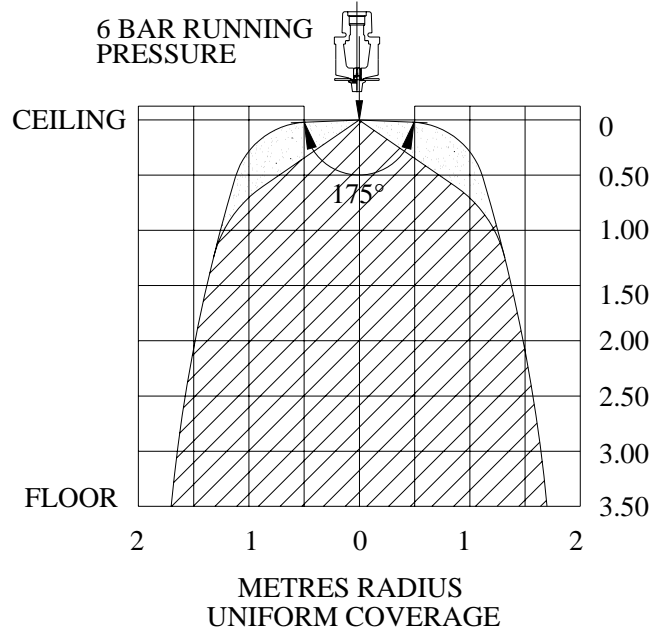
DATA SHEET No: **GW SN020 1001 A**

LOFLOW K-15 SPRINKLER BUILDING PROTECTION

TYPE- C & O PENDENT SPRAY



TYPE- S PENDENT SPRAY



The right is reserved to varv or modifv any specifications without prior notice

GW SPRINKLER A/S

Kastanievej 15, DK 5620-Glamsbjerg, Denmark

TEL: +45 64722055 FAX: +45 64722255

Email: sales.dep@gwspinkler.com

Data sheet also available at www.gwspinkler.com

DATA SHEET No: **GW SN020 1001 A**

Data Sheet: GW Loflow Sprinkler
Building Protection

Page: 3 of 3
Issue / Date: 9th July 2007