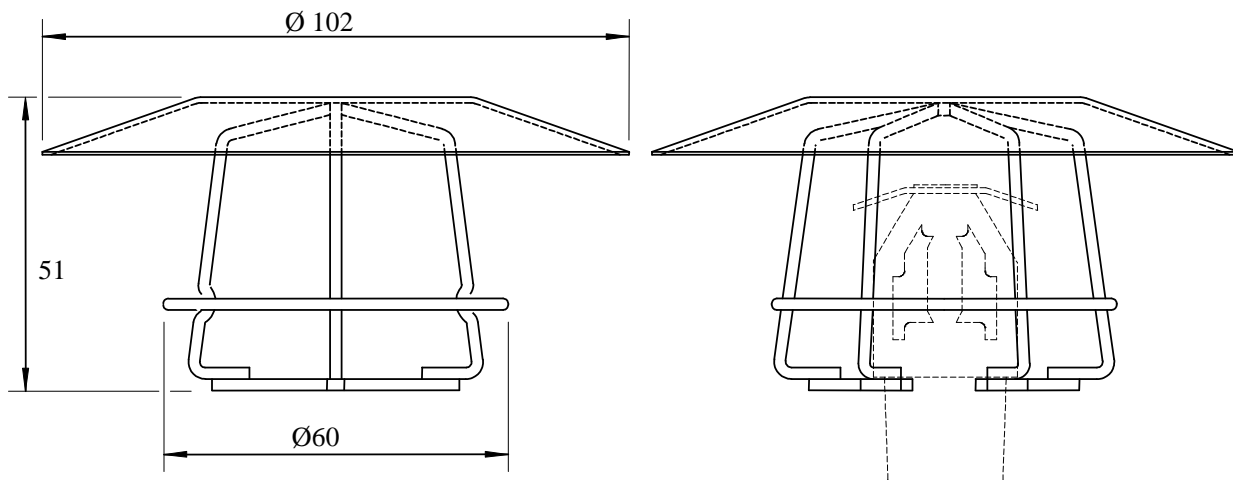
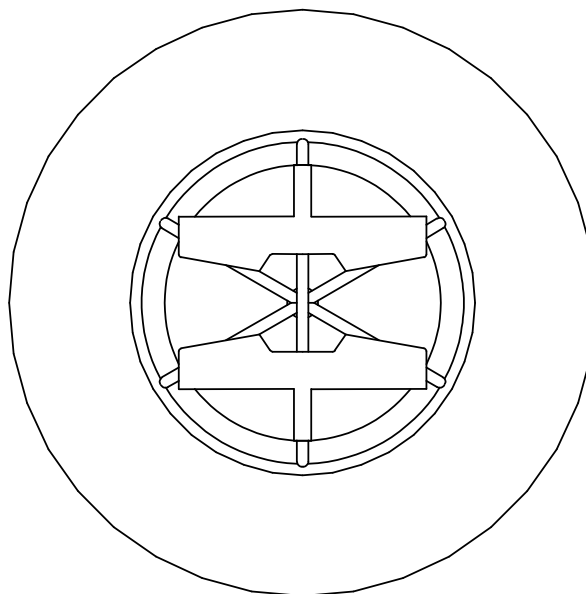


**GW**  
**MINIATURE GUARD WITH**  
**WATER SHIELD “WIRE CLIP” TYPE**



**TECHNICAL SPECIFICATION**

- MATERIALS:** 13s.w.g. Steel wire formed and Zinc plated.
- WEIGHT:** 100g (Without Sprinkler)
- APPLICATION:** For use with most 15mm and 20mm sprinkler heads in the upright position.



Note: Where a guarded pendent sprinkler requires a water shield use the GW Single piece stainless steel rosette.

The right is reserved to vary or modify any specifications without prior notice.

**GW SPRINKLER A/S**  
Kastanievej 15, DK 5620-Glamsbjerg, Denmark  
TEL: +45 64722055 FAX: +45 64722255  
Email: [sales.dep@gwspinkler.com](mailto:sales.dep@gwspinkler.com)  
Data sheet also available at [www.gwspinkler.com](http://www.gwspinkler.com)

Data Sheet: Miniature Guard with Watershield

Page: 1 of 1  
Date: 14<sup>th</sup> June 2007

**DATA SHEET No: GW SA045 1001 A**