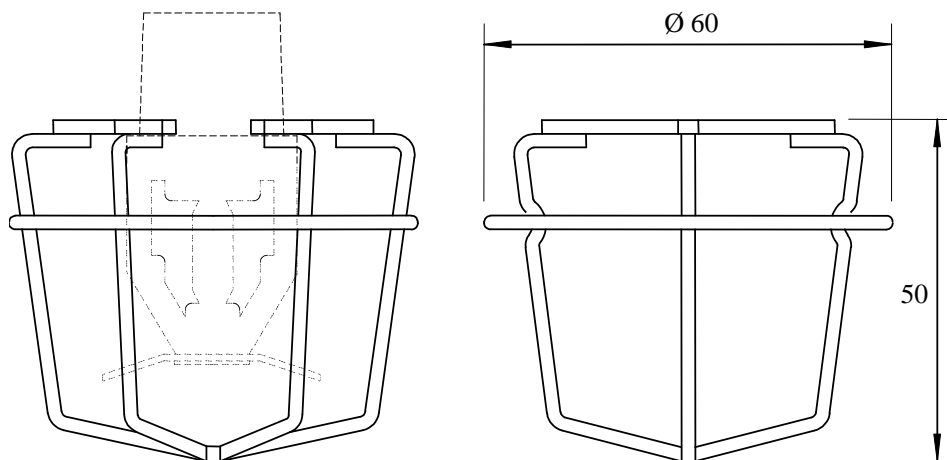
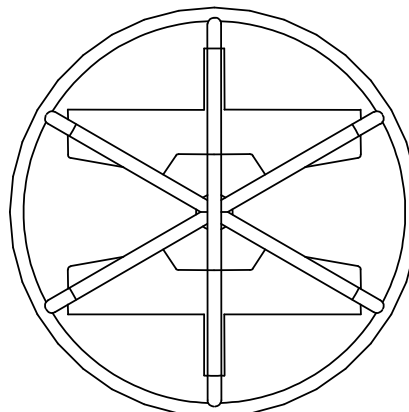


GW
MINIATURE SPRINKLER GUARD
"WIRE CLIP" TYPE



TECHNICAL SPECIFICATION

- MATERIALS:** 13s.w.g. Steel wire formed and Zinc plated.
- WEIGHT:** 35g (Without Sprinkler)
- APPLICATION:** For use with most 15mm and 20mm sprinkler heads in the upright or pendent position.



Note: Where a guarded pendent sprinkler requires a water shield, depending on the approval authority, use either the GW plain water shield (82.5mm) or GW single piece stainless steel rosette

For upright sprinklers requiring guards and water shields refer to the GW 'Miniature Guard With Water shield' data sheet.

The right is reserved to vary or modify any specifications without prior notice.

GW SPRINKLER A/S
Kastanievej 15, DK 5620-Glamsbjerg, Denmark
TEL: +45 64722055 FAX: +45 64722255
Email: sales.dep@gwspinkler.com
Data sheet also available at www.gwspinkler.com

Data Sheet: Miniature Sprinkler Guard

Page: 1 of 1
Date: 14th June 2007

DATA SHEET No: GW SA030 1001 A