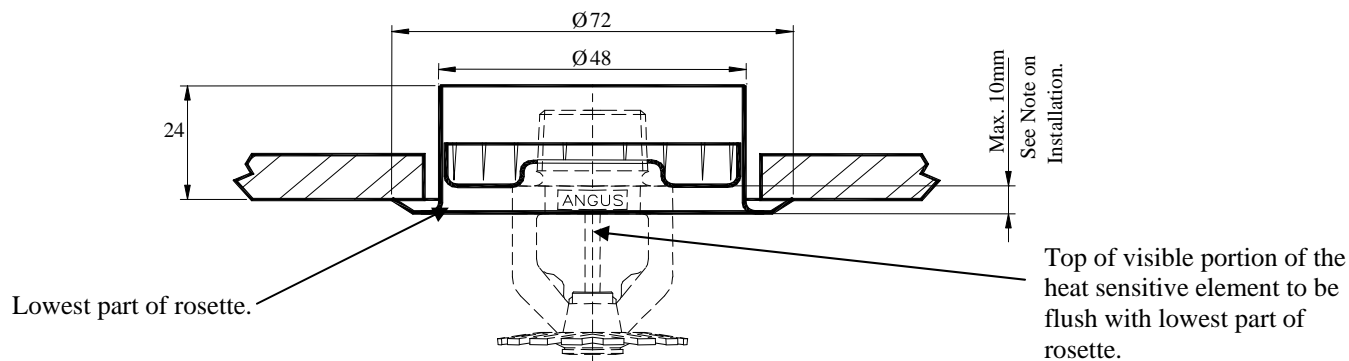


**2 PIECE
RECESSED SPRINKLER ROSETTE
SEMI RECESSED PUSH FIT**



TECHNICAL SPECIFICATION

Material: Inner – Spring Steel
Outer – Steel

Finish: Chrome plated and polished
Painted white (RAL 9010 / BS 4800 00E55)
(Other colours to special order)

Weight: 35g (without sprinkler)

Application: The rosette is designed for sprinkler installation in suspended ceilings. To facilitate installation and/or removal of ceiling panels without interference with the sprinkler system. Suitable for use with Angus ‘S’ SSP 15mm BSP threaded pendent sprinkler heads – standard and quick response.
The rosette consists of two pieces an outer and inner ring. The sprinkler has to be mounted in the inner ring before being fitted to the pipework. Mount the outer ring when the sprinkler has been fitted.

Approvals: *LPC:*
(Approvals apply to the following sprinklers when using this rosette).
S7 K57 10mm 57/68/79/93°C Std 5mm bulb brass/chrome/painted
S4 K57 15mm (10mm bore) 57/68/79/93°C Std 5mm bulb brass/chrome/painted
S7 K57 10mm 57/68/79/93/141°C QR 3mm bulb brass/chrome/painted
S2 K80 15mm 57/68/79/93/141°C QR 3mm bulb brass/chrome/painted
S4 K57 15mm (10mm bore) 57/68/79/93/141°C QR 3mm bulb brass/chrome/painted

FM:
S2 K80 15mm 68°C Std 5mm bulb brass/chrome/painted
S2 K80 15mm 68°C QR 3mm bulb brass/chrome/painted

Note: The rosette must only be used with Angus ‘S’ spray pendent (SSP) sprinkler heads. Use of its deep recess with other types of heads, will adversely affect their water distribution.

Note on Installation: In accordance with BS5306 Pt 25.10 No part of the rosette shall project from the ceiling below the top of the visible portion of the heat sensitive element.

The right is reserved to vary or modify any specifications without prior notice.

GW SPRINKLER A/S
Kastanievej 15, DK 5620-Glamsbjerg, Denmark
TEL: +45 64722055 FAX: +45 64722255
Email: sales.dep@gwsprinkler.com
Data sheet also available at www.gwsprinkler.com

Data Sheet: Standard 2 piece rosette

Page: 1 of 1
Date: 31st August 2007

DATA SHEET No: SA020 1001 B