

**GW MULTIPLE JET CONTROL (MJC)**  
**80MM DOUBLE OUTLET WITH 5MM BULB**  
**HEAT & ELECTRICALLY ACTIVATED**  
**THREADED CONNECTION - MODEL B**



**GW SPRINKLER A/S**

GW Multiple Jet Controls (MJC's) are for use in sprinkler or waterspray systems where it is required to operate small groups of open sprinklers or water spray nozzles simultaneously.

Each MJC contains a frangible glass bulb sensitive to heat. The bulb is pre-loaded at the factory to hold a Nickel / Silver plate against a Brass seal and provide a water and air tight seal. Activation of the Metron actuator by passing a small electrical current through it causes a pin to be extended bursting the glass bulb and actuating the MJC. In addition the application of heat will also burst the bulb releasing the disc and allowing water to flow.

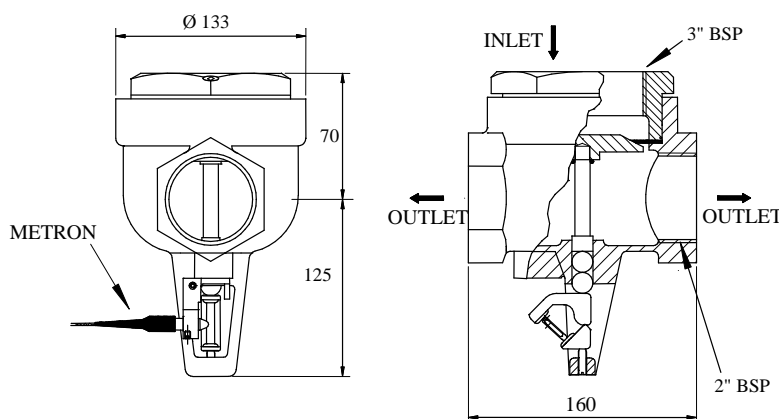
GW MJC's are available with bulb temperatures of 57°C, 68°C, 79°C, 93°C and 141°C.

**PRESSURE LOSS THROUGH VALVE**

FLOW RATE Litres/Min	PRESSURE LOSS Bar
500	0.33
600	0.49
700	0.66
800	0.87
900	1.10
1000	1.35
1100	1.60
1200	1.95
1300	2.30

**TECHNICAL SPECIFICATION**

Seal:	Nickel Silver
Weight:	7.0kg
Body:	Gunmetal
Max. Pipework Velocity:	4.6 metres/second
Max. Working Pressure:	12.0 Bar
Max. Test Pressure*:	50% above normal working pressure; max 18 bar (normally for a limited period of 1 hour)
Standard temperatures:	57°C, 68°C, 79°C, 93°C, 141°C



This data sheet is to be read in conjunction with Datasheets: **MJC Installation & Maintenance**  
**Metron Actuator Model C3**

Other sizes of MJC available with Metron actuation: 40mm / 50mm double outlet.

Metron actuators are normally supplied with 1 metre of twin core.

MJC's are not suitable for use in saline or corrosive systems.

After actuation MJC's must be returned to GW for refurbishment or replaced.

**HANDLE WITH CARE. DO NOT INSTALL IF DAMAGED/OR DROPPED.**

\* MJC's are designed to withstand sustained pressure on the inlet. The downstream side of the valve mechanism is not air or water tight.

The right is reserved to vary or modify any specifications without prior notice.

**GW SPRINKLER A/S**

Kastanievej 15, DK 5620-Glamsbjerg, Denmark

TEL: +45 64722055 FAX: +45 64722255

Email: [sales.dep@gwsprinkler.com](mailto:sales.dep@gwsprinkler.com)

Data sheet also available at [www.gwsprinkler.com](http://www.gwsprinkler.com)

**DATA SHEET No: GW MJ055 1001 A**

Data Sheet: **MJC80 DO HEA**  
**THREADED**

Page: 1 of 1

Date: 14<sup>th</sup> June 2007