

GW MULTIPLE JET CONTROL (MJC)
50MM DOUBLE OUTLET - HEAT ACTIVATED
WITH QUICK RESPONSE 3MM BULB
THREADED CONNECTION - MODEL B



GW SPRINKLER A/S

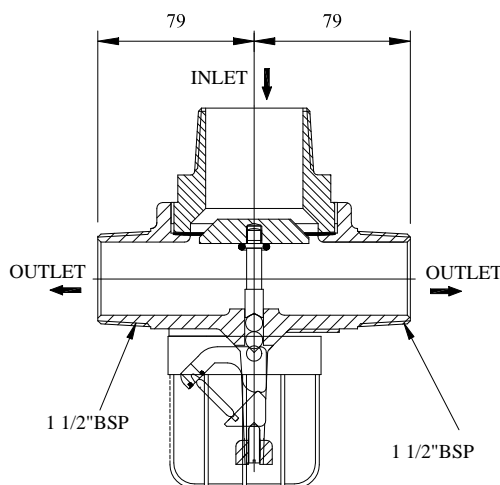
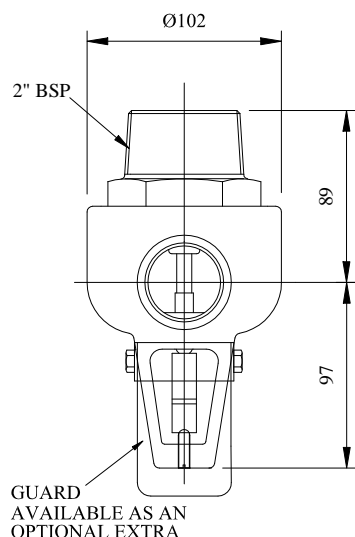
GW Multiple Jet Controls (MJC's) are for use in sprinkler or waterspray systems where it is required to operate small groups of open sprinklers or waterspray nozzles simultaneously. Each MJC contains a frangible glass bulb sensitive to heat. The bulb is pre-loaded at the factory to hold a Nickel / Silver plate against a Brass seal which provides a water and air tight seal. The application of heat bursts the bulb releasing the disc and allowing water to flow.

PRESSURE LOSS THROUGH VALVE

FLOW RATE Litres/Min	PRESSURE LOSS Bar
100	0.01
200	0.03
300	0.11
400	0.18
500	0.28
550	0.37

TECHNICAL SPECIFICATION

Seal:	Nickel Silver
Weight:	2.9kg (Guard 0.16kg)
Body:	Gunmetal
Max. Pipework Velocity:	4.6 metres/second
Max. Working Pressure:	12.0 Bar
Max. Test Pressure**:	50% above normal working pressure; max 18 bar (normally for a limited period of 1 hour)
Standard temperatures:	57 °C, 68°C, 79°C, 93°C, 141°C



This data sheet is to be read in conjunction with Datasheets: MJC Installation & Maintenance

Size range: 40mm/50mm/80mm double outlet.

GW MJC's are also available with Metron electrical activation – see separate data sheet.

MJC's are not suitable for use in saline or corrosive systems.

After actuation MJC's must be returned to GW for refurbishment or replaced.

HANDLE WITH CARE. DO NOT INSTALL IF DAMAGED.

* For a full list of current approvals refer to GW.

** MJC's are designed to withstand sustained pressure on the inlet. The downstream side of the valve mechanism is not air or water tight.

GW SPRINKLER A/S
 Kastanievej 15, DK 5620-Glamsbjerg, Denmark
 TEL: +45 64722055 FAX: +45 64722255
 Email: sales.dep@gwsprinkler.com
 Data sheet also available at www.gwsprinkler.com

Data Sheet: **MJC50 DO HA THREADED QR**

Page: 1 of 1
 Date: 14th June 2007

DATA SHEET No: GW MJ045 1001 A