

**GW MULTIPLE JET CONTROL (MJC)
40MM DOUBLE OUTLET WITH 3MM BULB (LU)
HEAT & ELECTRICALLY ACTIVATED
THREADED CONNECTION - MODEL B**



GW SPRINKLER A/S

GW Multiple Jet Controls (MJC's) are for use in sprinkler or waterspray systems where it is required to operate small groups of open sprinklers or waterspray nozzles simultaneously.

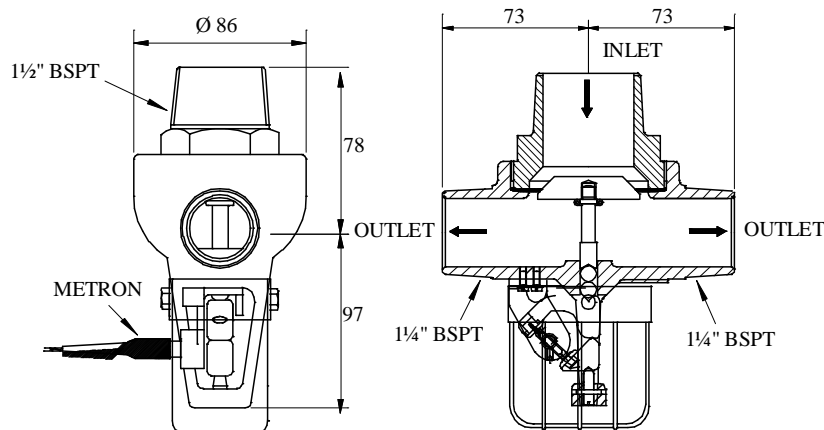
Each MJC contains a frangible glass bulb sensitive to heat. The bulb is pre-loaded at the factory to hold a Nickel / Silver plate against a Brass seal which provides a water and air tight seal. The application of heat bursts the bulb releasing the disc and allowing water to flow.

PRESSURE LOSS THROUGH VALVE

FLOW RATE Litres/Min	PRESSURE LOSS Bar
62	0.02
100	0.035
125	0.05
200	0.06
250	0.09
300	0.15
350	0.21

TECHNICAL SPECIFICATION

Seal:	Nickel Silver
Weight:	2.55kg
Body:	Gunmetal
Max. Pipework Velocity:	4.6 metres/second
Max. Working Pressure:	12.0 Bar
Max. Test Pressure**:	50% above normal working pressure; max 18 bar (normally for a limited period of 1 hour)
Standard temperatures:	57°C, 68°C



Approvals*: London Underground

This data sheet is to be read in conjunction with Datasheets: MJC Installation & Maintenance
Metron Actuator Model C35

Other sizes of MJC available with Metron actuation: 50mm double outlet.

Metron actuators are normally supplied with 1 metre of twin core armoured cable.

MJC's are not suitable for use in saline or corrosive systems.

After actuation MJC's must be returned to GW for refurbishment or replaced.

HANDLE WITH CARE. DO NOT INSTALL IF DAMAGED/OR DROPPED.

* For a full list of current approvals refer to GW.

** MJC's are designed to withstand sustained pressure on the inlet. The downstream side of the valve mechanism is not air or water tight.

(* For a full, and up to date, list of approvals refer to GW)

The right is reserved to vary or modify any specifications without prior notice.

GW SPRINKLER A/S
Kastanievej 15, DK 5620-Glamsbjerg, Denmark
TEL: +45 64722055 FAX: +45 64722255
Email: sales.dep@gwsprinkler.com
Data sheet also available at www.gwsprinkler.com

Data Sheet: MJC40 DO HEA LU
THREADED

Page: 1 of 1
Date: 14th June 2007

DATA SHEET No: GW MJ020 1002 A