

GW MULTIPLE JET CONTROL (MJC)

40MM DOUBLE OUTLET - HEAT ACTIVATED

THREADED CONNECTION - MODEL B



GW SPRINKLER A/S

GW Multiple Jet Controls (MJC's) are for use in sprinkler or waterspray systems where it is required to operate small groups of open sprinklers or water spray nozzles simultaneously.

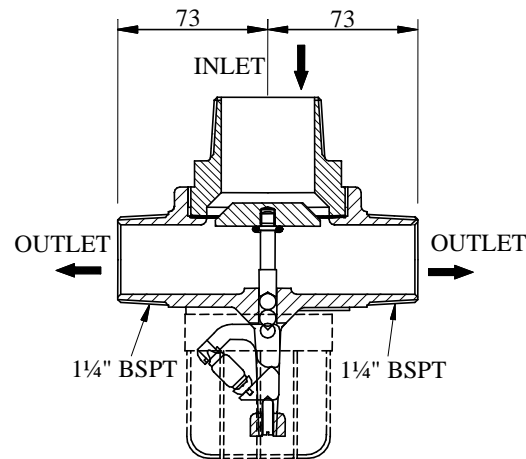
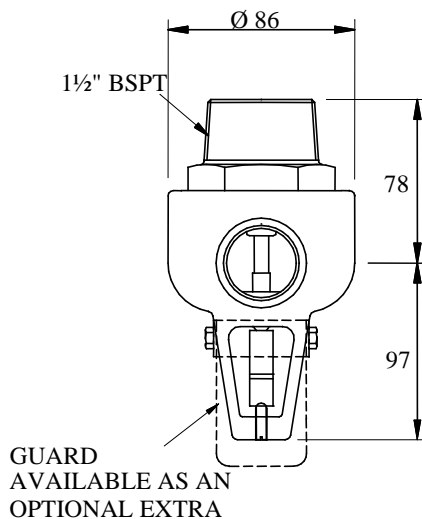
Each MJC contains a frangible glass bulb sensitive to heat. The bulb is pre-loaded at the factory to hold a Nickel / Silver plate against a Brass seal which provides a water and air tight seal. The application of heat bursts the bulb releasing the disc and allowing water to flow.

PRESSURE LOSS THROUGH VALVE

FLOW RATE	PRESSURE LOSS
Litres/Min	Bar
60	0.02
100	0.035
125	0.05
200	0.06
250	0.09
300	0.15
350	0.21

TECHNICAL SPECIFICATION

Seal:	Nickel Silver
Weight:	2.26kg (Guard 0.112kg)
Body:	Gunmetal
Max. Pipework Velocity:	4.6 metres/second
Max. Working Pressure:	12.0 Bar
Max. Test Pressure**:	50% above normal working pressure; max 18 bar (normally for a limited period of 1 hour)
Standard temperatures:	57 °C, 68°C, 79°C, 93°C, 141°C,



Approvals: LPC*

This data sheet is to be read in conjunction with Datasheets: MJCInstallation&Maintenance

Size range: 40mm/50mm/80mm double outlet.

GW MJC's are also available with Metron electrical activation – see separate data sheet.

MJC's are not suitable for use in saline or corrosive systems.

After actuation MJC's must be returned to GW for refurbishment or replaced.

HANDLE WITH CARE. DO NOT INSTALL IF DAMAGED/ OR DROPPED

* For a full list of current approvals refer to GW.

** MJC's are designed to withstand sustained pressure on the inlet. The downstream side of the valve mechanism is not air or water tight.

The right is reserved to vary or modify any specifications without prior notice.

GW SPRINKLER A/S

Kastanievej 15, DK 5620-Glamsbjerg, Denmark

TEL: +45 64722055 FAX: +45 64722255

Email: sales.dep@gwsprinkler.com

Data sheet also available at www.gwsprinkler.com

DATA SHEET No: **GW MJ010 1002 A**

Data Sheet: MJC40 DO HA Threaded

Page: 1 of 1

Date: 14th June 2007