

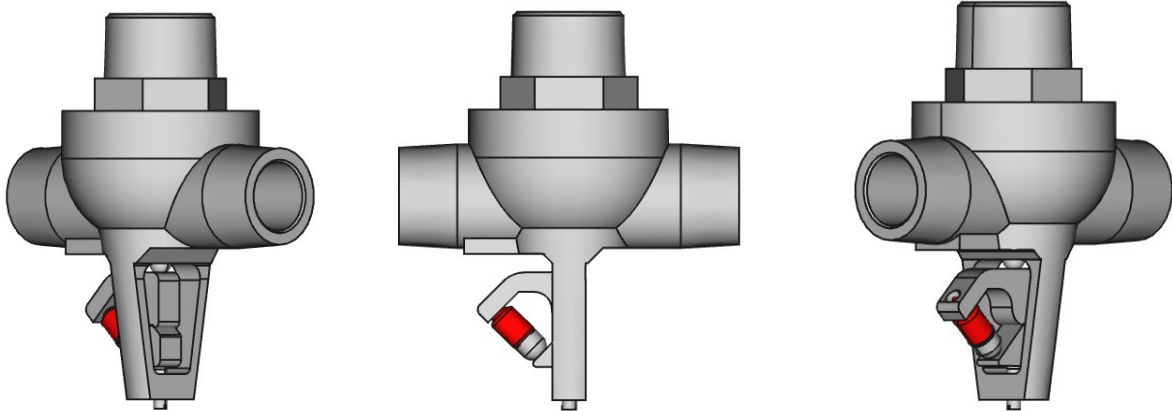
GW

MULTIPLE JET CONTROL (MJC)

50mm (2") / heat activated (12 mm bulb)



GW SPRINKLER A/S



General Description

The GW MJC is a one directional in-line valve with double outlet, held closed by a frangible glass bulb heat sensitive element. MJC valves are particularly used in applications where a small number of nozzles (open sprinklers) need to activate simultaneously and form a concentrated spray pattern over a defined area.

The MJC housing is cast gunmetal. However, the internal mechanism is **not** suitable for use with sea water or corrosive liquids.

Technical Specification

Seal	Nickel Silver (metallic seal)
Weight	2,9 kg (without Guard*)
Body (material)	Gunmetal
Max. pipe work velocity	4,6 m/s
Max. working pressure	12 bar
Max. test pressure	18 bar (for max. 1 hour)
Heat sensitive element (bulb)	Glass (quartzoid) – Ø12mm
Release temperature	57 – 68 – 79 – 93 – 141 -182 °C
RTI (response time index)	Standard B: RTI = 280
Threaded connection (inlet: DN 50)	2" BSPT (x1)
Threaded connection (outlet: DN 40)	1 ½" BSPT (x2)
*Guard (optional)	SS304 – Ø2mm wire / 0,112 kg (see page 4)

GW SPRINKLER A/S
Kastanievej 15, DK 5620-Glamsbjerg, Denmark
TEL: +45 64722055 FAX: +45 64722255
Email: sales.dep@gwspinkler.com
Data sheet also available at www.gwsprinkler.com

Data Sheet: GW Multiple Jet Control
50mm, heat activated
(12mm bulb)

Page: 1 of 4

DATA SHEET No: **GW MJ030 1001 B**

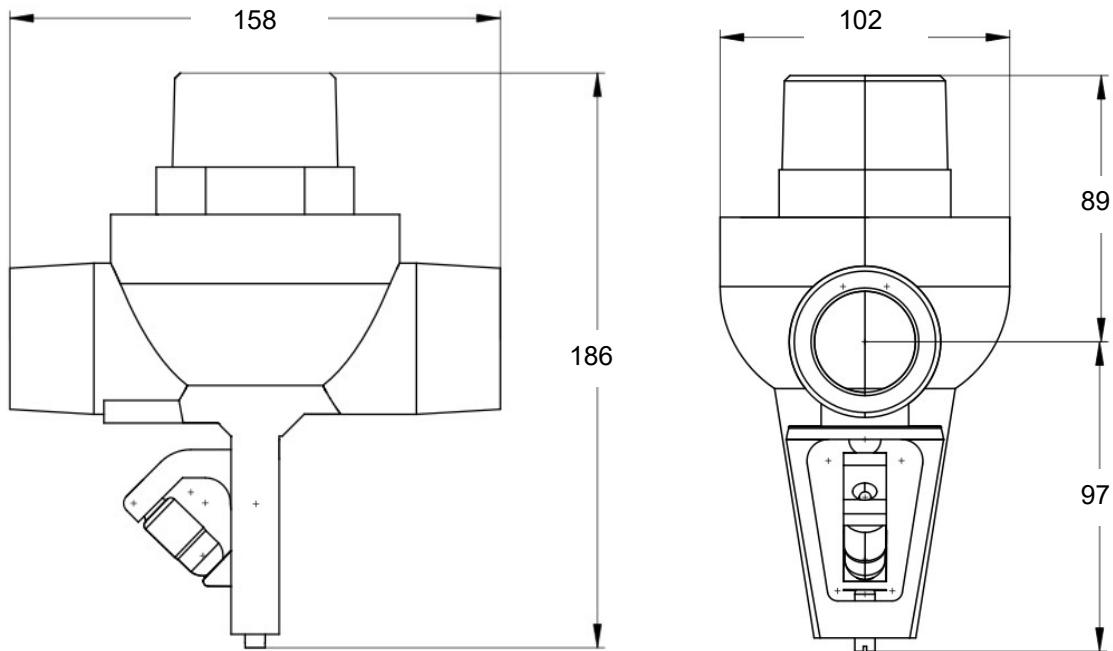
Issue / Date: 05th January 2022

GW MULTIPLE JET CONTROL (MJC) 50mm (2") / heat activated (12 mm bulb)

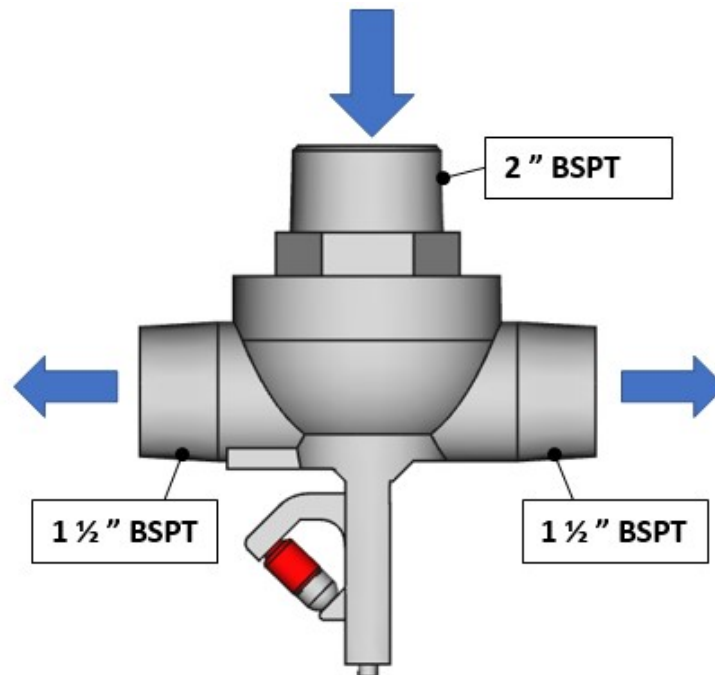


GW SPRINKLER A/S

Dimensions (mm)



Flow & Connections



GW SPRINKLER A/S
Kastanievej 15, DK 5620-Glamsbjerg, Denmark
TEL: +45 64722055 FAX: +45 64722255
Email: sales.dep@gwsprinkler.com
Data sheet also available at www.gwsprinkler.com

Data Sheet: GW Multiple Jet Control
50mm, heat activated
(12mm bulb)

Page: 2 of 4

DATA SHEET No: **GW MJ030 1001 B**

Issue / Date: 05th January 2022

GW

MULTIPLE JET CONTROL (MJC)

50mm (2") / heat activated (12 mm bulb)



GW SPRINKLER A/S

Pressure loss through 50mm MJC valve

Flow rate (lpm)	Flow Rate (GPM)	Pressure Loss (bar)	Pressure Loss (PSI)
100	26,5	0,01	0,15
200	52,9	0,03	0,44
300	79,3	0,11	1,60
400	105,8	0,18	2,61
500	132,3	0,28	4,06
550	145,5	0,37	5,36

Installation – heat actuated MJCs

The MJC is designed to be installed in accordance with recognized installation standards. Deviation from the standards or any alteration to the MJC after it has left the factory including, but not limited to: painting, plating, coating or modification/repair, may render the valve inoperative and will automatically nullify any approval, or guarantee made by GW Sprinkler A/S.

Always install MJCs in the pendent position, which is with the heat sensitive glass bulb at the bottom and the water inlet on top. Discharge pipework must be supported at a maximum of 600mm from each MJC outlet.

Do not unpack MJCs until required for fitting to pipework to avoid damage to threads or the release mechanism. Preferably install MJCs to pipework that is already in place and not lying on the ground or on a bench, to avoid mechanical damage. Use contract or site approved pipe sealant.

- Always tighten using the spanner flats provided on valve body.
- **Never tighten MJCs on to the water inlet by inserting a spanner handle or pipe into the outlets.** This may damage the seal mechanism inside or unscrew the body of the MJC from the inlet spigot. **Always handle the MJC-valve with utmost care** and avoid any physical impact on the product!
- Never install an MJC valve that has been dropped or damaged.
- Never install any MJC if the glass bulb is cracked and/or there is loss of liquid from the bulb.

Pressure Testing

MJC valves are water and air tight on the **inlet side** (upstream). They are not intended to be air or water tight on the outlet side (downstream), which is normally dry, and connected to a range of open spray nozzles.

When pressure testing downstream pipework (normally unpressurized in service), water may be seen to drip from above the bulb / lever assembly, this is not detrimental to the operation of the MJC.

GW SPRINKLER A/S
Kastanievej 15, DK 5620-Glamsbjerg, Denmark
TEL: +45 64722055 FAX: +45 64722255
Email: sales.dep@gwspinkler.com
Data sheet also available at www.gwsprinkler.com

Data Sheet: GW Multiple Jet Control
50mm, heat activated
(12mm bulb)

Page: 3 of 4

Issue / Date: 05th January 2022

DATA SHEET No: GW MJ030 1001 B

GW

MULTIPLE JET CONTROL (MJC)

50mm (2") / heat activated (12 mm bulb)



GW SPRINKLER A/S

Care and Maintenance

GW MJC valves should be inspected monthly for damage, paint, corrosion, signs of leakage, deposits or build-up of dirt/salts.

Where corrosion or dirt is an issue it may be advisable to remove a proportion of the installed MJCs and return them to GW for inspection.

Where MJCs become coated in dust, this can be carefully removed with a light brush.

Do not use compressed air – and avoid contact with the glass bulb!

Conduct inspections using qualified persons. This may include the installing contractor or a contractor licensed, certified, or approved by local authorities.

After a fire, accidental actuation or damage

GW MJC valves are factory built one-shot units, and cannot be reset or rebuilt on site.

Replacement units should always be held on site so that damaged or actuated units can be replaced quickly.

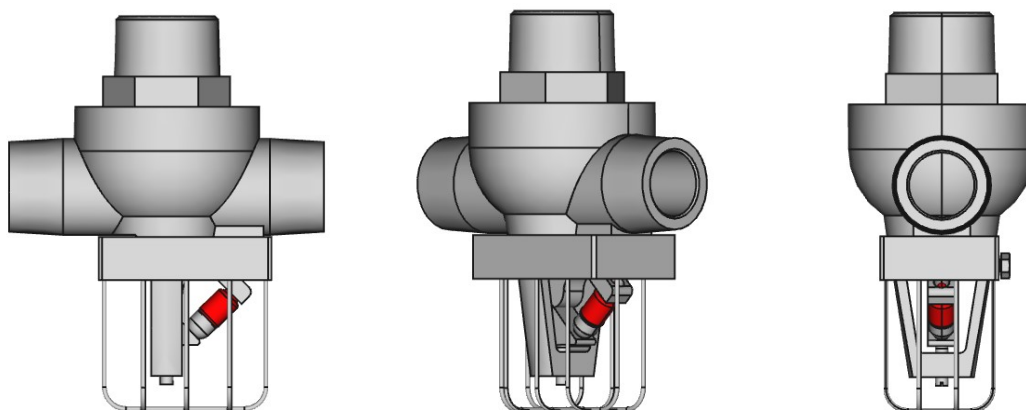
Approval: LPCB



Option: Wire Guard protection

The MJC can be fitted with a protective guard to protect the glass bulb and lever mechanism against impact.

The Wire Guard is optional, and must be specified when enquiring/ordering the MJC.



GW SPRINKLER A/S
Kastanievej 15, DK 5620-Glamsbjerg, Denmark
TEL: +45 64722055 FAX: +45 64722255
Email: sales.dep@gwspinkler.com
Data sheet also available at www.gwspinkler.com

Data Sheet: GW Multiple Jet Control
50mm, heat activated
(12mm bulb)

Page: 4 of 4

DATA SHEET No: GW MJ030 1001 B

Issue / Date: 05th January 2022