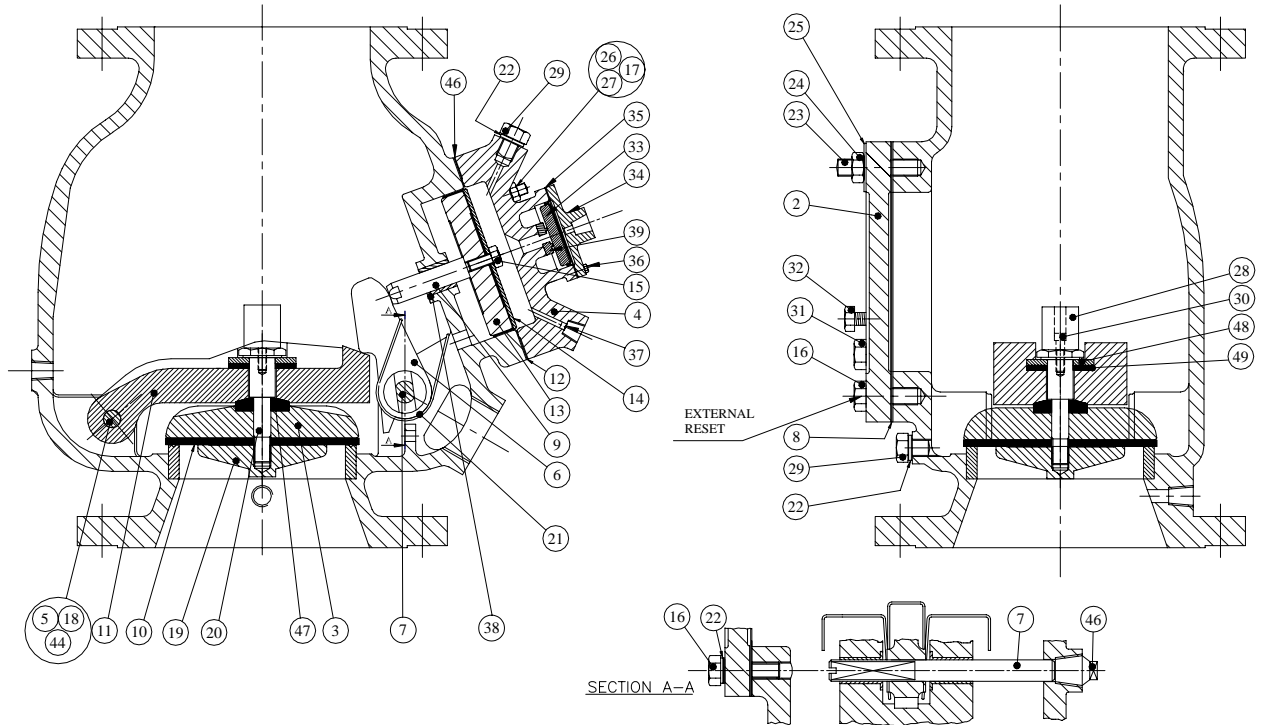


GW MK3 DELUGE VALVE

HYDRAULIC & PNEUMATIC SPARES

100mm (4") 150mm (6") 200mm (8")



HYDRAULIC VALVE SERVICE PARTS:

ITEM	DESCRIPTION	SIZE mm	OLD PT. NO.	NEW PT. NO.	NOTE
12	LARGE DIAPHRAGM C/I & A/B	100	E7611	S-ES24554	1
8	COVER PLATE GASKET	100	E7612	S-DE07612	
10	CLAPPER RUBBER SEAL	100	E7607	S-DE07607	
22	SEALING WASHER AIR BLEED	100	E14229	S-DE14229	
12	LARGE DIAPHRAGM C/I & A/B	150	E7102	S-ES24555	1
8	COVER PLATE GASKET	150	E7580	S-DE07580	
10	CLAPPER RUBBER SEAL	150	E7571	S-DE07571	
22	SEALING WASHER AIR BLEED	150	E14229	S-DE14229	
12	LARGE DIAPHRAGM C/I & A/B	200	E7626	S-ES24557	1
8	COVER PLATE GASKET	200	E7640	S-DE07640	
10	CLAPPER RUBBER SEAL	200	E7628	S-DE07628	
22	SEALING WASHER AIR BLEED	200	E14229	S-DE14229	
49	CLACK SEAT INSERT RUBBER	200	-	S-DE24433	2

Note 1. The large diaphragm can only be obtained as an assembly with the piston and piston rod.

The right is reserved to varv or modifv any specifications without prior notice

GW SPRINKLER A/S

Kastanievej 15, DK 5620-Glamsbjerg, Denmark

TEL: +45 64722055 FAX: +45 64722255

Email: sales.dep@gwspinkler.com

Data sheet also available at www.gwspinkler.com

DATA SHEET No: **GW SS030 1001 A**

Data Sheet: GW MK3 Deluge Valve
Hydraulic & Pneumatic Spares

Page: 1 of 5
Issue / Date: 9th July 2007

GW MK3 DELUGE VALVE
HYDRAULIC & PNEUMATIC SPARES
 100mm (4") 150mm (6") 200mm (8")



Note 2. The clack seat insert was introduced into production in February 1990 for the aluminium bronze 200mm valve and in February 1994 for the iron 200mm valve.

Note 3. "Chevron" 200mm valves use a special clack seal.

PNEUMATIC VALVE SERVICE PARTS:

ITEM	DESCRIPTION	SIZE mm	OLD PT. NO.	NEW PT. NO.	NOTE
12	LARGE DIAPHRAGM C/I & A/B	100	E7611	S-ES24554	1
35	SMALL DIAPHRAGM	100	E7578	S-BE24510	2
8	COVER PLATE GASKET	100	E7612	S-DE07612	
10	CLAPPER RUBBER SEAL	100	E7607	S-DE07607	
22	SEALING WASHER AIR BLEED	100	E14229	S-DE14229	
12	LARGE DIAPHRAGM C/I & A/B	150	E7102	S-ES24555	1
35	SMALL DIAPHRAGM	150	E7578	S-DE24510	2
8	COVER PLATE GASKET	150	E7580	S-DE07580	
10	CLAPPER RUBBER SEAL	150	E7571	S-DE07571	
22	SEALING WASHER AIR BLEED	150	E14229	S-DE14229	
12	LARGE DIAPHRAGM C/I & A/B	200	E7626	S-ES24557	1
35	SMALL DIAPHRAGM	200	E7578	S-DE24510	2
8	COVER PLATE GASKET	200	E7640	S-DE07640	
10	CLAPPER RUBBER SEAL	200	E7628	S-DE07628	4
22	SEALING WASHER AIR BLEED	200	E14229	S-DE14229	
49	CLACK SEAT INSERT RUBBER	200	-	S-DE24433	3

Note 1. The large diaphragm can only be obtained as an assembly with the piston and piston rod.

Note 2. Only available as an assembly with the disc

Note 3. The clack seat insert was introduced into production in February 1990 for the aluminium bronze 200mm valve and in February 1994 for the iron 200mm valve.

Note 4. "Chevron" 200mm valves use a special clack seal.

The right is reserved to vary or modify any specifications without prior notice

GW SPRINKLER A/S
 Kastanievej 15, DK 5620-Glamsbjerg, Denmark
 TEL: +45 64722055 FAX: +45 64722255
 Email: sales.dep@gwspinkler.com
 Data sheet also available at www.gwspinkler.com

Data Sheet: GW MK3 Deluge Valve
 Hydraulic & Pneumatic Spares

Page: 2 of 5
 Issue / Date: 9th July 2007

DATA SHEET No: GW SS030 1001 A

GW MK3 DELUGE VALVE
HYDRAULIC & PNEUMATIC SPARES
 100mm (4") 150mm (6") 200mm (8")



GENERAL DELUGE VALVE NON-SERVICE PARTS:

ITEM	DESCRIPTION	VALVE Ø	PT. NO.	QTY.
<i>CLAPPER ASSEMBLY</i>				
3	CLAPPER PLATE	100	DE07668	1
		150	DE07649	1
		200	DE07661	1
19	KEEP PLATE	100	DE07672	1
		150	DE07651	1
		200	DE07663	1
20	RETAINING BOLT	100	DE07555	1
		150	DE07857	1
		200	DE24449	1
28	BUFFER (RUBBER)	100	DE07609	1
		150	DE07105	1
		200	DE07997	1
30	BUFFER BRASS RETAINING SCREW (M8 X 16)	ALL	DE07751	1
47	CLAPPER SEAT INSERT	200	BE24892	1
49	RUBBER DISK	200	DE24433	1
48	DISC WASHER	200	DE24445	1
11	CLAPPER ARM	100	DE07671	1
		150	DE07648	1
		200	DE20217	1
5	CLAPPER ARM SPINDLE	100	DE07554	1
		150	DE07096	1
		200	DE07636	1
44	CLAPPER SPINDLE BUSH	ALL	DE07853	2
10	CLAPPER RUBBER DISC	100	DE07607	1
		150	DE07571	1
		200	DE07628	1

The right is reserved to varv or modifv any specifications without prior notice

GW SPRINKLER A/S
 Kastanievej 15, DK 5620-Glamsbjerg, Denmark
 TEL: +45 64722055 FAX: +45 64722255
 Email: sales.dep@gwspinkler.com
 Data sheet also available at www.gwsprinkler.com

Data Sheet: GW MK3 Deluge Valve
 Hydraulic & Pneumatic Spares

Page: 3 of 5
 Issue / Date: 9th July 2007

DATA SHEET No: GW SS030 1001 A

GW MK3 DELUGE VALVE
HYDRAULIC & PNEUMATIC SPARES
 100mm (4") 150mm (6") 200mm (8")



GENERAL DELUGE VALVE NON-SERVICE PARTS:

ITEM	DESCRIPTION	VALVE Ø	PT. NO.	QTY.
<i>ACTUATION CHAMBER</i>				
4	HYDRAULIC CHAMBER	100	DE07858	1
		150	DE07856	1
		200	DE07659	1
4	PNEUMATIC CHAMBER	100	DE14634	1
		150	DE14635	1
		200	DE07664	1
39	AIR SEATING BUSH	100/150	DE07652	1
	AIR SEATING BUSH	200	DE14894	1
37	BRASS INLET RESTRICTOR	ALL	BE14738	1
17	CHAMBER STUD (M10 x 64)	ALL	DE07655	6*
26	CHAMBER STUD NUT (M10)	ALL	DE07361	6*
27	CHAMBER STUD WASHER (M10)	ALL	DE07363	6*
34	PNEUMATIC CHAMBER COVER	ALL	DE07095	1
36	CHAMBER COVER BOLTS (M6)	ALL	AE05559	6
9	PUSH ROD**	100	DE20213	1
		150	DE07101	1
		200	DE20219	1
13	PISTON**	100	DE07605	1
		150	DE07103	1
		200	DE07630	1
14	RETAINING PLATE**	100	DE07610	1
		150	DE07572	1
		200	DE07639	1
15	RETAINING PLATE NUT (M10X6)**	ALL	DE07575	1
12	HYDRAULIC DIAPHRAM**	100	DE07611	1
		150	DE07102	1
		200	DE07626	1
46	HYDRAULIC DIA GASKET**	100	BE24503	1
		150	BE24504	1
		200	BE24572	1
35	PNEUMATIC DIAPHRAM***	ALL	DE07578	1
33	PNEUMATIC DIAPHRAM DISC***	ALL	DE07577	1

* Quantity 10 on the 200mm Valve

** Normally only supplied as a sub-assembly.

*** Normally only supplied as a sub-assembly.

The right is reserved to vary or modify any specifications without prior notice

GW SPRINKLER A/S

Kastanievej 15, DK 5620-Glamsbjerg, Denmark

TEL: +45 64722055 FAX: +45 64722255

Email: sales.dep@gwspinkler.com

Data sheet also available at www.gwspinkler.com

DATA SHEET No: GW SS030 1001 A

Data Sheet: GW MK3 Deluge Valve
Hydraulic & Pneumatic Spares

Page: 4 of 5
Issue / Date: 9th July 2007

GW MK3 DELUGE VALVE
HYDRAULIC & PNEUMATIC SPARES
 100mm (4") 150mm (6") 200mm (8")



GENERAL DELUGE VALVE NON-SERVICE PARTS:

ITEM	DESCRIPTION	VALVE Ø	PT. NO.	QTY.
FRONT COVER				
2	COVER PLATE	100	DE07667	1
		150	DE07646	1
		200	DE07658	1
31	COVER PLATE BOLT (M12X35)	100	BE07239	1
31	COVER PLATE BOLT (M16X35)	150	BE07192	1
31	COVER PLATE BOLT (M16X40)	200	AE02831	1
32	COVER JACKING BOLT (M12X35)	ALL	BE07239	2
23	COVER PLATE STUD (M12X54)	100	BE07582	1
23	COVER PLATE STUD (M16X60)	150/200	BE07388	1
24	COVER PLATE STUD NUT (M12)	100	BE07583	1
24	COVER PLATE STUD NUT (M16)	150/200	BE07371	1
25	COVER PLATE WASHER (M12)	100	BE07584	1
25	COVER PLATE WASHER (M16)	150/200	BE07372	1
16	RE-SET ACCESS BOLT	ALL	DE07869	1
8	COVER PLATE GASKET	100	DE07612	1
		150	DE07580	1
		200	DE07640	1
LATCH MECHANISM				
6	LATCH LEVER	100/150	DE07650	1
		200	DE20215	1
21	LATCH SPRING	100/150	DE07104	1
		200	DE07627	1
7	LEVER PIN	100	DE07872	1
		150	DE07874	1
		200	DE07634	1
MISCELLANEOUS				
29	AIR BLEED BOLT (DIAPHRAM CHAMBER & BODY)	ALL	DE07869	2
22	AIR BLEED BOLT (SEALING WASHER)	ALL	DE14229	2
18	TAPER PLUG 1/2"	100/150	BE07459	
18	TAPER PLUG 3/4"	200	BE07458	

FOR EXTERNAL RE-SET HAND WHEEL MECHANISM REFER TO ANGUS

The right is reserved to vary or modify any specifications without prior notice

GW SPRINKLER A/S
 Kastanievej 15, DK 5620-Glamsbjerg, Denmark
 TEL: +45 64722055 FAX: +45 64722255
 Email: sales.dep@gwspinkler.com
 Data sheet also available at www.gwspinkler.com

Data Sheet: GW MK3 Deluge Valve
 Hydraulic & Pneumatic Spares

Page: 5 of 5
 Issue / Date: 9th July 2007

DATA SHEET No: GW SS030 1001 A