

# GW MISTERYHOOD CANISTER REPLACEMENT KIT

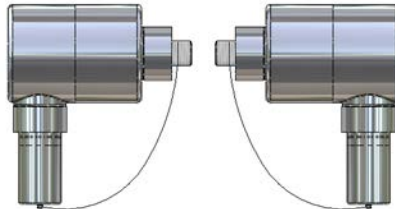


GW SPRINKLER A/S

In order to maintain the full extinguishing efficiency of the GW MisteryHood unit, the foam agent (AFFF) must be renewed after 5 years in service.

The expiry year is marked / labeled on the canister outlet flanges (see page 2).

For easy and seamless renewal of the foam agent, GW Sprinkler offers a complete **Canister Replacement Kit**, consisting of 2 fully fitted Canisters, including nozzles and Blow-Off Caps, ready to install.



Description	Content	Part no.
Canister Replacement Kit	2 off complete canisters (AFFF Tridol S1 foam agent)	6000000

### Preparation:

Make sure there is easy and safe access to the Mistery Hood unit. Turn off, remove (or cover) the fat fryer unit to avoid any exposure of / to the oil pool.

It is recommended to turn off the water supply to the sprinkler system – or to the GW MisteryHood unit during the replacement work.

### Replacement:

**NOTE: this work should only be performed by a skilled sprinkler installer familiar with the handling of fragile and sensitive sprinkler products. The utmost care must be exercised to avoid any damage to the glass bulb during the replacement work !!**

The replacement of canisters can take place without draining down the sprinkler system, as the MisteryHood valve (fitted with glass bulb) holds back the water. There is no water pressure on the canisters – and the foam is contained in the canisters by burst discs, sealing the canister inlet and outlet! Hence the canisters can be unscrewed / removed without any escape of system water or foam agent. Carefully unscrew the canisters using a suitably sized wrench, turning the canisters counter-clockwise. Expect some force to be required, as the ½” threads are sealed with liquid seal. Use the Ø46 mm flange (see page 2) pointing towards the MisteryHood center valve, to grip and rotate the canister.

If necessary, clean the ½” female valve threads. Make sure the Blow-Off Cap wire loop is fitted on the canister male thread. Apply sealant on the replacement canister ½” male thread, and hand-tighten the canister into the valve thread. Using the wrench, and without using excessive force, tighten the canister safely in the valve so the nozzle / blow-off cap is pointing **100% vertically down**. No side wards tilt is allowed! Make sure not to damage the flange chrome plating when applying wrench torque to the canister.

When both canisters have been replaced the sprinkler system can be put back in service by opening the valves (if any) that were closed as part of the preparation.

For more information, refer to: manual no. 819 “Guidelines – Canister Replacement

### GW SPRINKLER A/S

Kastanievej 15, DK-5620 Glamsbjerg, Denmark  
Tel: +45 64 72 20 55 Fax: +45 64 72 22 55  
Email: sales.dep@gwsprinkler.com

Data Sheet: Canister Replacemet Kit

Page: Page 1 of 2

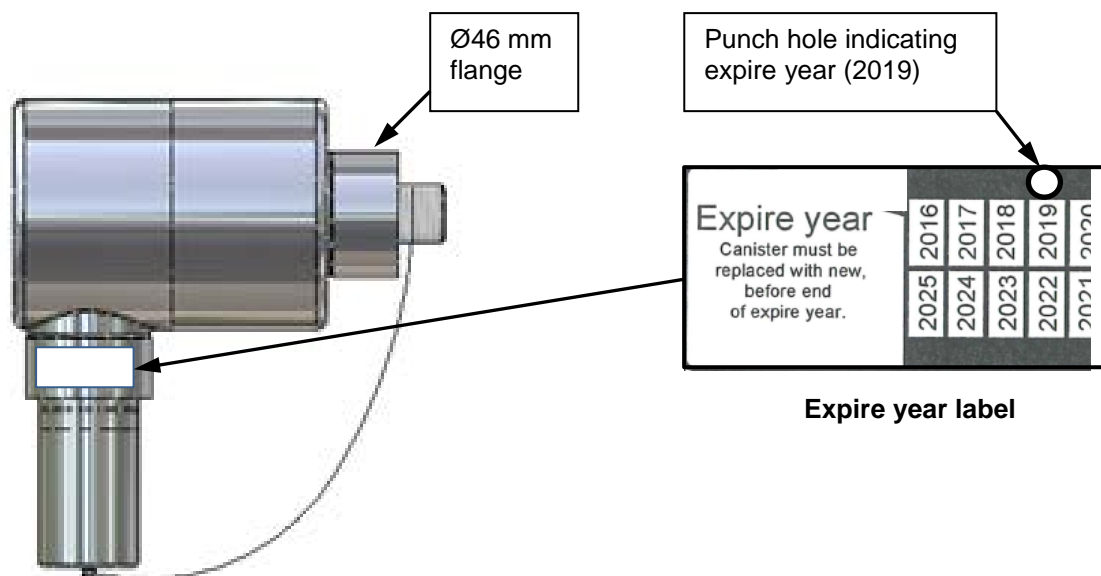
DATA SHEET No: **SN045 1003 A**

Date: 15 November 2016

# GW MISTERYHOOD CANISTER REPLACEMENT KIT



GW SPRINKLER A/S



## Disposal:

The expired canisters can be returned to the supplier to be safely disposed of. Please confirm and abide by local environmental laws and regulations whilst disposing of the canisters or extinguishing agent. The foam agent, AFFF Tridol S1, can be successfully treated in biological waste water treatment systems.

## Environment:

The foam agent, AFFF Tridol S1, is biodegradable and demonstrates low toxicity to aquatic organisms.

## GW SPRINKLER A/S

Kastanievej 15, DK-5620 Glamsbjerg, Denmark  
Tel: +45 64 72 20 55 Fax: +45 64 72 22 55  
Email: sales.dep@gwsprinkler.com

Data Sheet: Canister Replacemet Kit

Page: Page 2 of 2

DATA SHEET No: **SN045 1003 A**

Date: 15 November 2016